

# F4U4



## *Illustrated* **ASSEMBLY BREAKDOWN**

This booklet has been prepared by the Publications Section of the Engineering Department at the request of Tool Engineering. It is designed to be used as a ready reference for major assembly numbers of the airplane by all departments of our Company and its subcontractors.

SEPTEMBER 1, 1944

M. SCHWARTZ

CHANCE VOUGHT AIRCRAFT • STRATFORD, CONNECTICUT

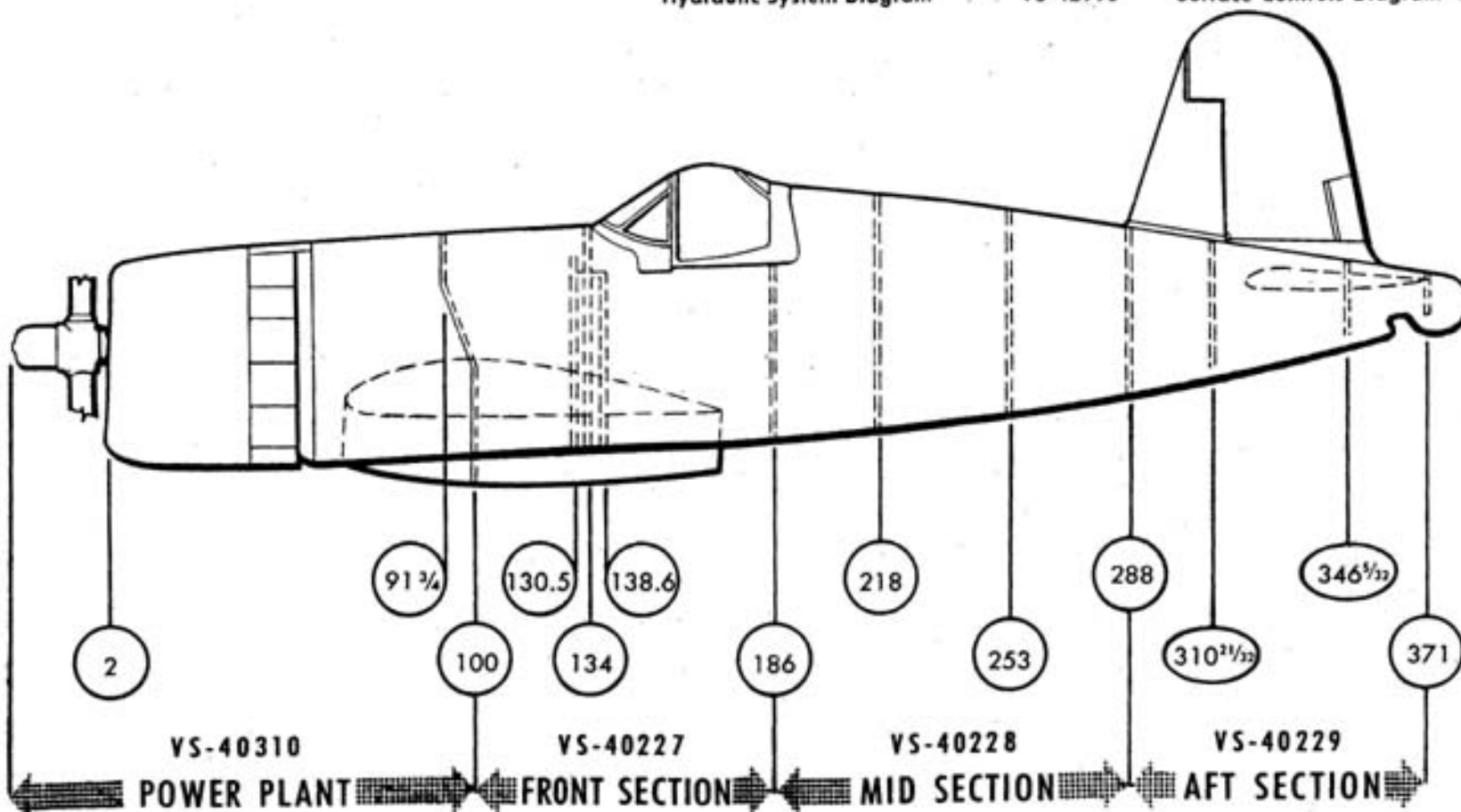
PROFILE . . . . .	Page 2
MAJOR ASSEMBLIES . . . . .	3
POWER PLANT . . . . .	4, 5
FRONT SECTION . . . . .	6, 7
MID SECTION . . . . .	8, 9
AFT SECTION . . . . .	10, 11
CENTER SECTION . . . . .	12, 13
OUTER PANEL . . . . .	14
WING ERECTION . . . . .	15
TAIL ERECTION . . . . .	16

## INDEX

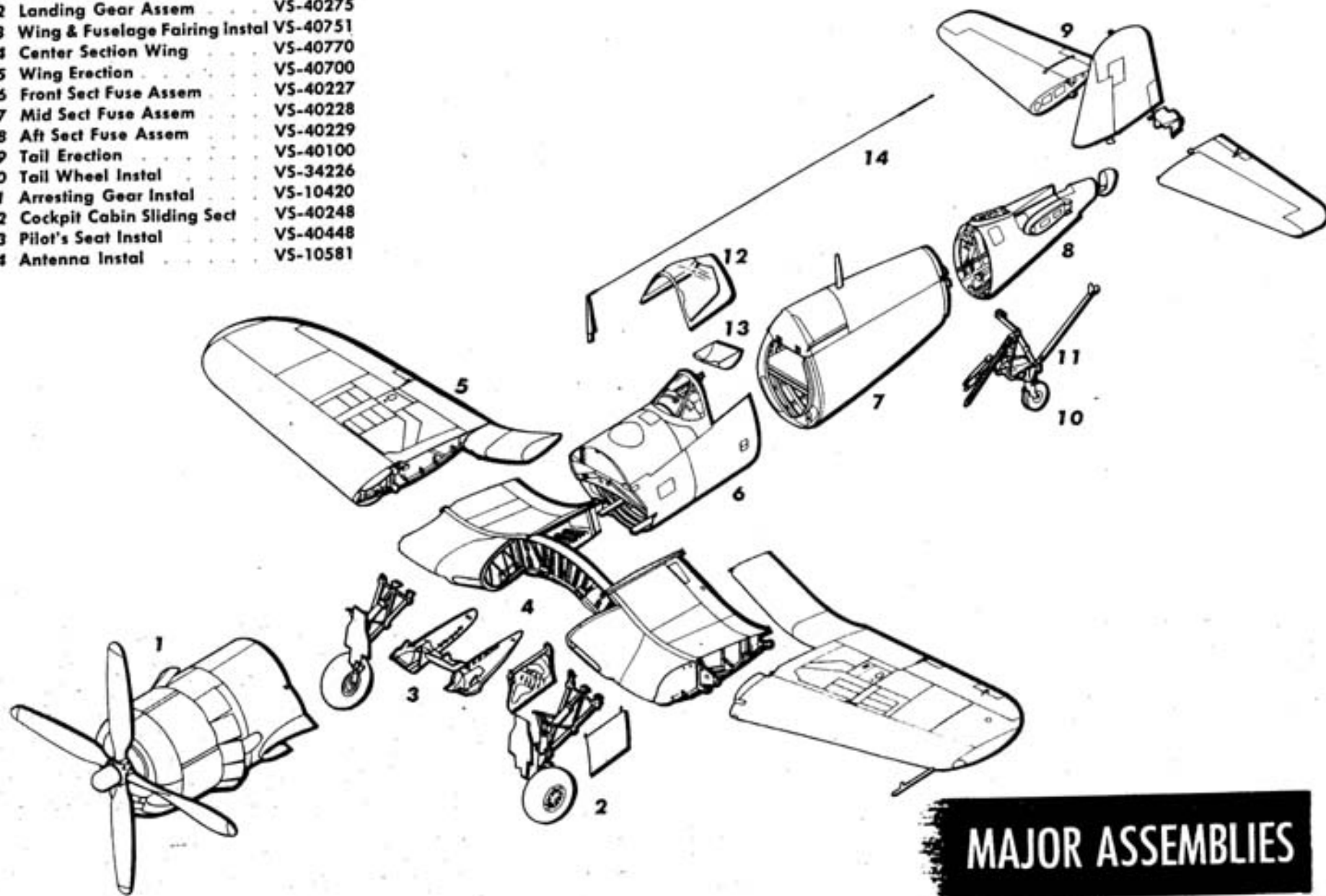
This document contains information affecting the national defense of the United States within the meaning of the Espionage Act, 50 U. S. C. 31 and 32, as amended. Its transmission or the revelation of its contents in any manner to an unauthorized person is prohibited by law.

# PROFILE

General Arrangements . . . . .	VS-40601	Hydraulic System Rigging . . . . .	VS-42997
Armor Plating Arrange . . . . .	VS-44014	Inboard Profile . . . . .	VS-40600
Bomb & Drop Tank Instal . . . . .	VS-33540	Lines Drawing Body . . . . .	VS-40201
Box of Loose Equipment . . . . .	VS-45075	Lubricating System . . . . .	VS-40307
Catapult Arrangement . . . . .	VS-37481	Lubricating System Diagram . . . . .	VS-43064
Droppable Tank Assem — Aux . . . . .	VS-40303	Markings F4U-4 Airplane . . . . .	VS-40900
Electrical System . . . . .	VS-44018	Oiling Diagram . . . . .	VS-43065
Electrical System Wiring Diagram . . . . .	VS-44019	Parachute & Liferaft Arrange . . . . .	VS-45005
Elevator, Rudder & Tab Controls . . . . .	VS-40404	Radio & Cable Instal Identif . . . . .	VS-40535
Forward Fuselage Unit . . . . .	VS-40250	Radio & Cable Instal Commun . . . . .	VS-40525
Front & Center Sect Unit Assem . . . . .	VS-40225	Rear Fuselage Unit . . . . .	VS-40210
Fuselage Assem Body Group . . . . .	VS-40200	Tail Rise Calculation . . . . .	VS-44021
Ground Handling Equipment . . . . .	VS-45165	Towing & Tie-Down Diagram . . . . .	VS-45003
Hydraulic System Diagram . . . . .	VS-42998	Surface Controls Diagram . . . . .	VS-44017



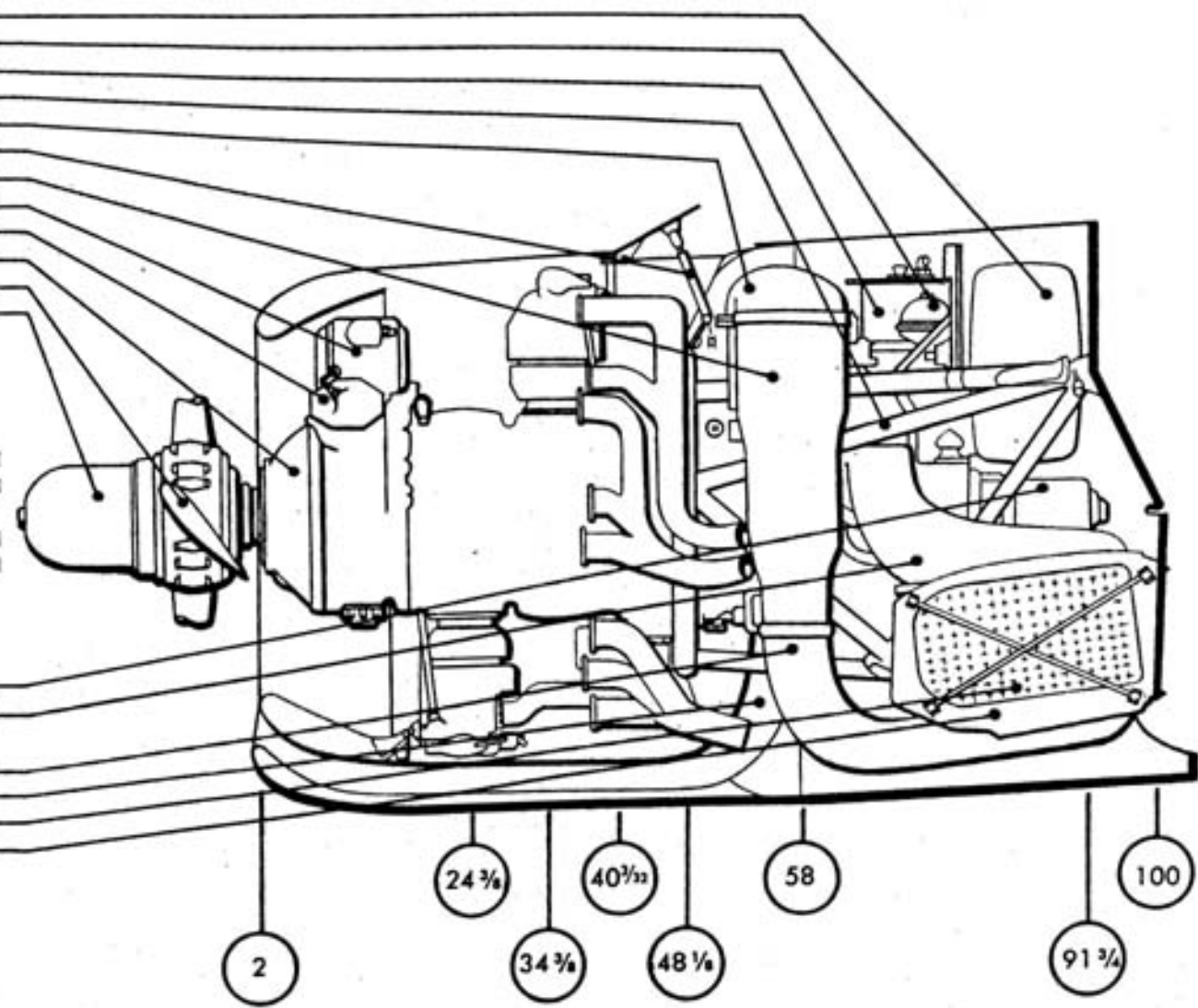
- |                                  |          |
|----------------------------------|----------|
| 1 Power Plant Unit               | VS-40310 |
| 2 Landing Gear Assem             | VS-40275 |
| 3 Wing & Fuselage Fairing Instal | VS-40751 |
| 4 Center Section Wing            | VS-40770 |
| 5 Wing Erection                  | VS-40700 |
| 6 Front Sect Fuse Assem          | VS-40227 |
| 7 Mid Sect Fuse Assem            | VS-40228 |
| 8 Aft Sect Fuse Assem            | VS-40229 |
| 9 Tail Erection                  | VS-40100 |
| 10 Tail Wheel Instal             | VS-34226 |
| 11 Arresting Gear Instal         | VS-10420 |
| 12 Cockpit Cabin Sliding Sect    | VS-40248 |
| 13 Pilot's Seat Instal           | VS-40448 |
| 14 Antenna Instal                | VS-10581 |



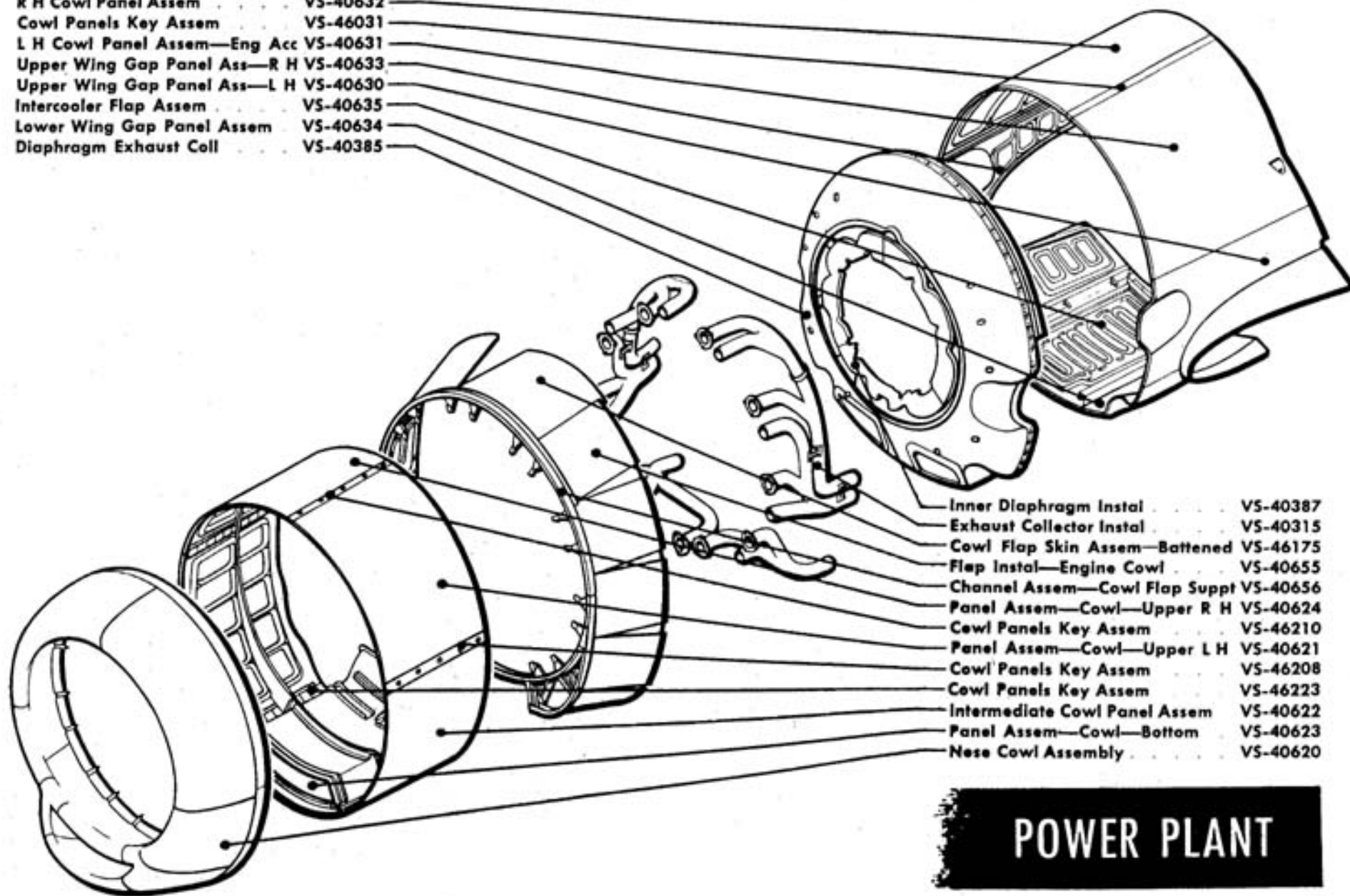
**MAJOR ASSEMBLIES**

# POWER PLANT

- Power Plant Unit . . . . . VS-40310
- Oil Tank Assem . . . . . VS-43306
- Hydraulic Accumulator . . . . . VS-12281
- Hydraulic Reservoir Assem . . . . . VS-48088
- Engine Mount & Attach Parts . . . . . VS-40640
- Carburetor Air Box Assem . . . . . VS-40335
- Automatic Cowl Flap Controls . . . . . VS-
- Intermediate Intercool Duct Assem . . . . . VS-40340
- Magneto . . . . . DF-18LU-2
- Distributor . . . . .
- Engine—Pratt & Whitney . . . . . R-2800-18-W
- Propeller Blade—Hamilton Std . . . . . 6507-A-0
- Propeller Hub—Hamilton Std . . . . . 24E60
- Aux Stage Air Exit Duct Assem . . . . . VS-40337
- Blower Drain Instal . . . . . VS-40308
- Electrical System Instal . . . . . VS-40430
- Engine Accessories . . . . . VS-40302
- Engine Controls Instal . . . . . VS-40301-1
- Fuel System Instal . . . . . VS-40325-1
- Hydraulic System Instal . . . . . VS-40271
- Instrument Instal . . . . . VS-40470-1
- Lubricating System . . . . . VS-40307-1
- Power Plant Instal . . . . . VS-40300
- Removable Section . . . . . VS-40350
- Res, Valves, Accum, & Pan Assem . . . . . VS-48001
- Starter Instal—Jack & Heintz . . . . . JH4NER
- Intercool Air Ent Duct Assem—L H . . . . . VS-40338
- Intercool Air Ent Duct Assem—R H . . . . . VS-40348
- Intercool Air Exit Duct Assem . . . . . VS-40339
- Aux Stage Air Entrance Duct Assem . . . . . VS-40336
- Intercooler—Engine Access . . . . . VS-40395
- Intercooler Suppt Rib Assem—L H . . . . . VS-40323
- Intercooler Suppt Rib Assem—R H . . . . . VS-40324
- Vac Pump & Oil Separator Instal . . . . . VS-40396
- Water Injection System . . . . . VS-40327
- Water Tank Assem—Water Inject . . . . . VS-40328



- Cowling Instal . . . . . VS-40645
- R H Cowl Panel Assem . . . . . VS-40632
- Cowl Panels Key Assem . . . . . VS-46031
- L H Cowl Panel Assem—Eng Acc VS-40631
- Upper Wing Gap Panel Ass—R H VS-40633
- Upper Wing Gap Panel Ass—L H VS-40630
- Intercooler Flap Assem . . . . . VS-40635
- Lower Wing Gap Panel Assem . . . VS-40634
- Diaphragm Exhaust Coll . . . . . VS-40385



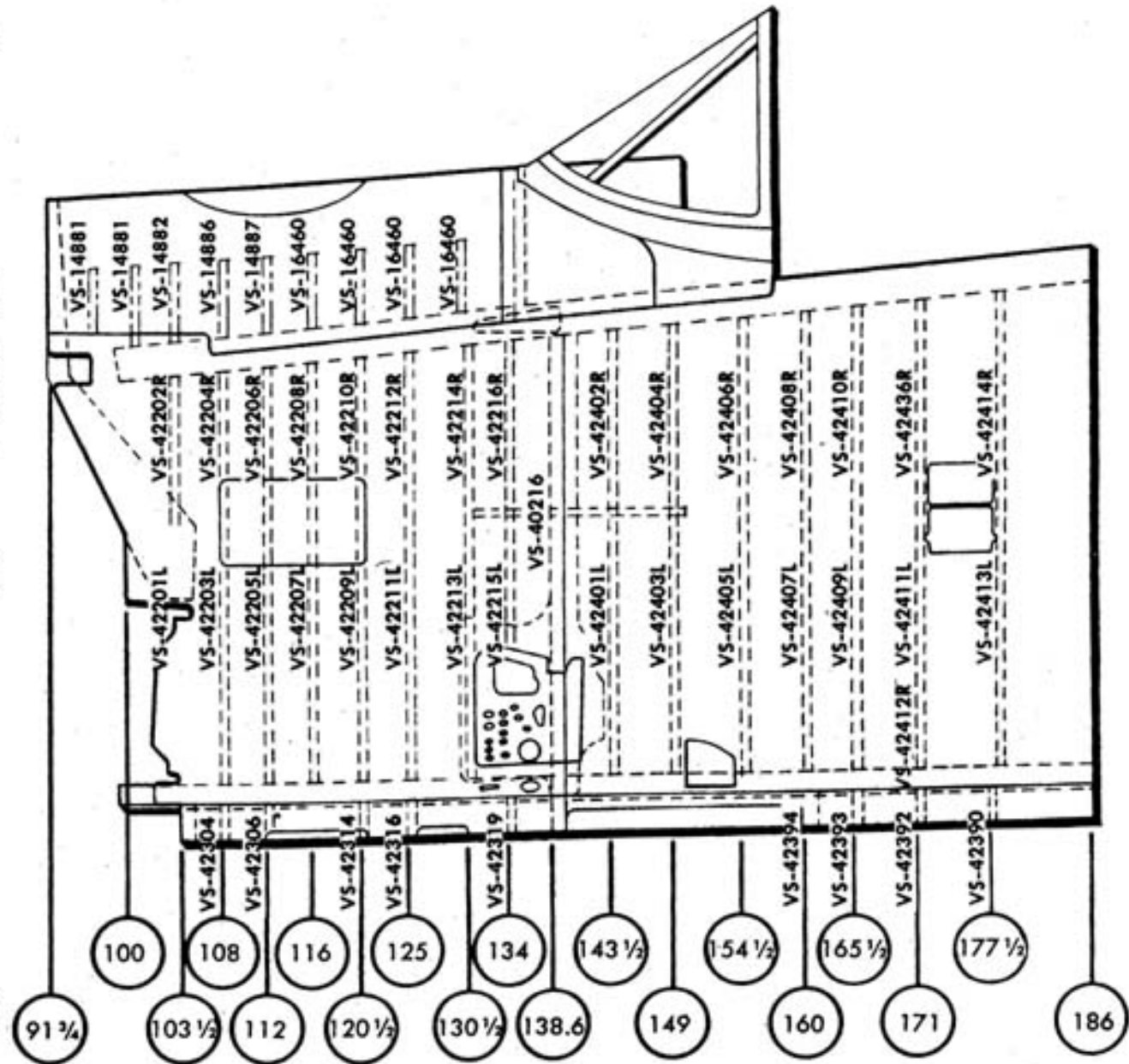
- Inner Diaphragm Instal . . . . . VS-40387
- Exhaust Collector Instal . . . . . VS-40315
- Cowl Flap Skin Assem—Battened VS-46175
- Flap Instal—Engine Cowl . . . . . VS-40655
- Channel Assem—Cowl Flap Suppt VS-40656
- Panel Assem—Cowl—Upper R H VS-40624
- Cowl Panels Key Assem . . . . . VS-46210
- Panel Assem—Cowl—Upper L H VS-40621
- Cowl Panels Key Assem . . . . . VS-46208
- Cowl Panels Key Assem . . . . . VS-46223
- Intermediate Cowl Panel Assem VS-40622
- Panel Assem—Cowl—Bottom . . . VS-40623
- Nose Cowl Assembly . . . . . VS-40620

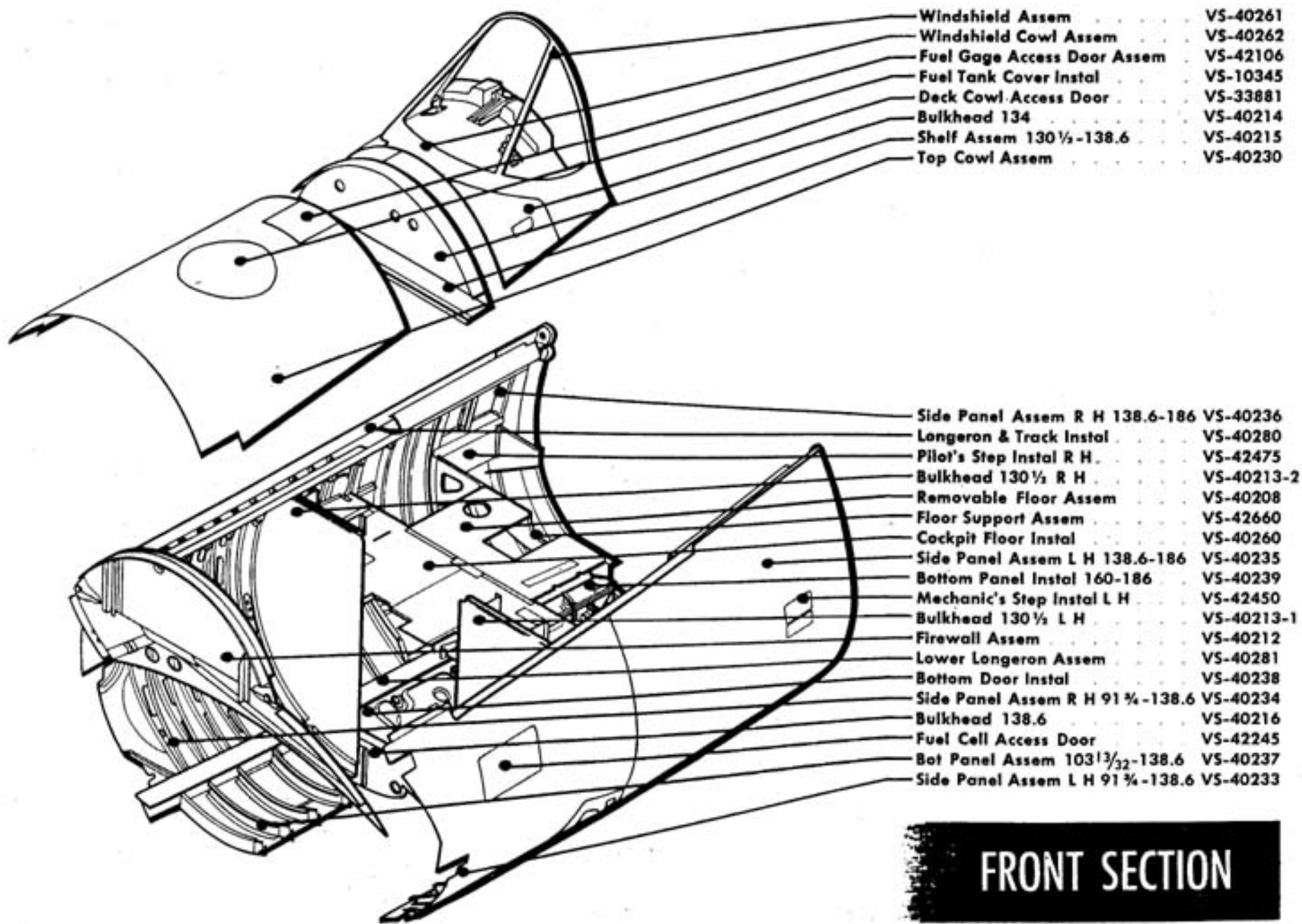
# POWER PLANT



# FRONT SECTION

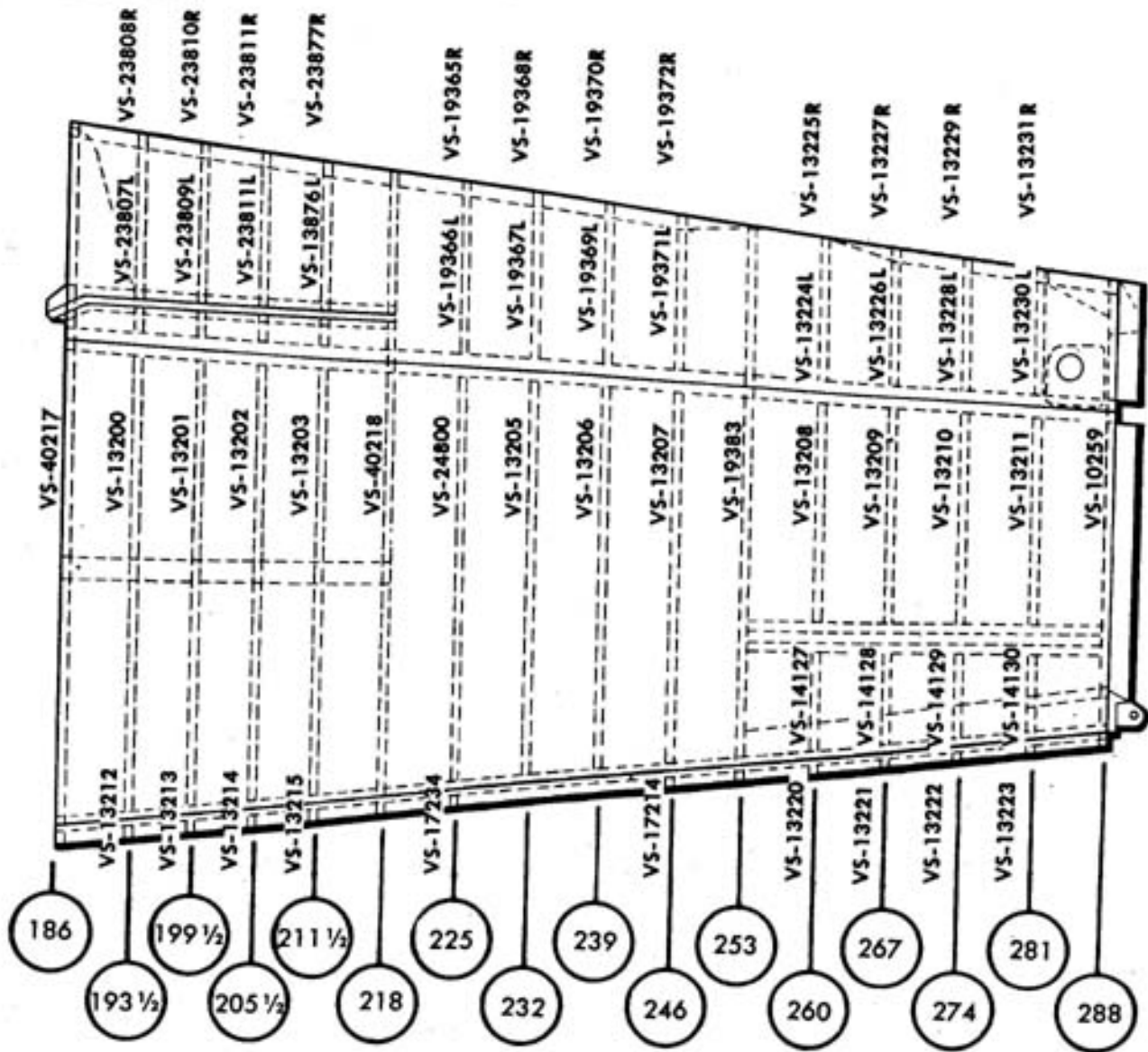
Front Section Assem	VS-40227
Aux Control Panel Instal Vert	VS-40415
Aux Control Panel Instal Horiz	VS-40414
Brake Instal Low Press Pedal	VS-48957
Canvas Floor Assem	VS-44850
Chartboard Stowage Holder Instal	VS-44462
Checkoff List—Cockpit	VS-40557
Cockpit Ventilator Instal	VS-40442-1
Cowl & Windshield Assem	VS-40266
Electrical Instal	VS-40431
Elevator, Rudder & Tab Controls	VS-40404-2
Engine Controls Instal	VS-40301-2
Fuel System Instal	VS-40325-2
Fumeproof Instal	VS-40293
Fumeproof Instal Bkhd 130 1/2-134	VS-40268
Fumeproof Instal Firewall	VS-40269
Hydraulic System Instal	VS-40273
Illuminated Gun Sight Instal	VS-40507
Instrument Instal	VS-40470-2
Lubricating System	VS-40307-2
Main Fuel Tank Instal	VS-40326
Main Fuel Tank Sheath Instal	VS-40320
Main Instrument Board Instal	VS-40411
Man Bomb & Drop Tank Release	VS-44693
Oxygen System Instal	VS-40550
Pedal, Rudder & Brake Controls	VS-40410
Pilot's Seat Instal	VS-40448
Radio Control Box Instal	VS-44025
Relief Tube Instal	VS-40558
Shell Assem L H	VS-40231
Shell Assem R H	VS-40232
Signal Pistol Support Instal	VS-40556
Sliding Section Instal	VS-40248
Sliding Section Control Instal	VS-40211
Stick & Rudder Pedal Lock Assem	VS-44500
Stick & Torque Tube Controls	VS-40405
Tail Wheel Lock Ind Controls	VS-40417-2
Windshield Defrosting Instal	VS-40441-1
Wing Flap Controls	VS-45004



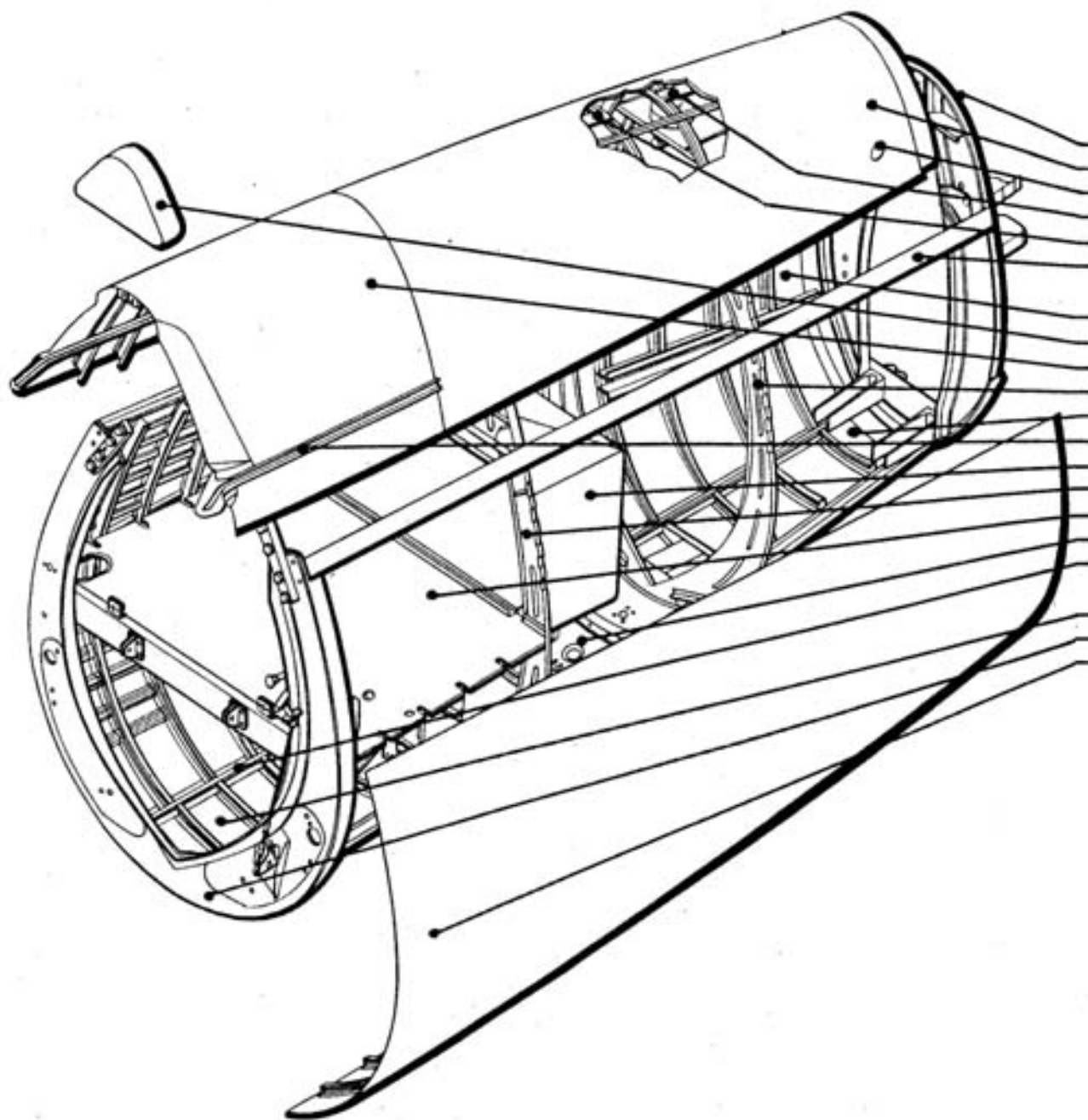


**FRONT SECTION**

# MID SECTION







Mid Section Fuse Assem	VS-40228
Fumeproofing—Mid Section	VS-40294
Fumeproofing—Blkhd 218	VS-40279

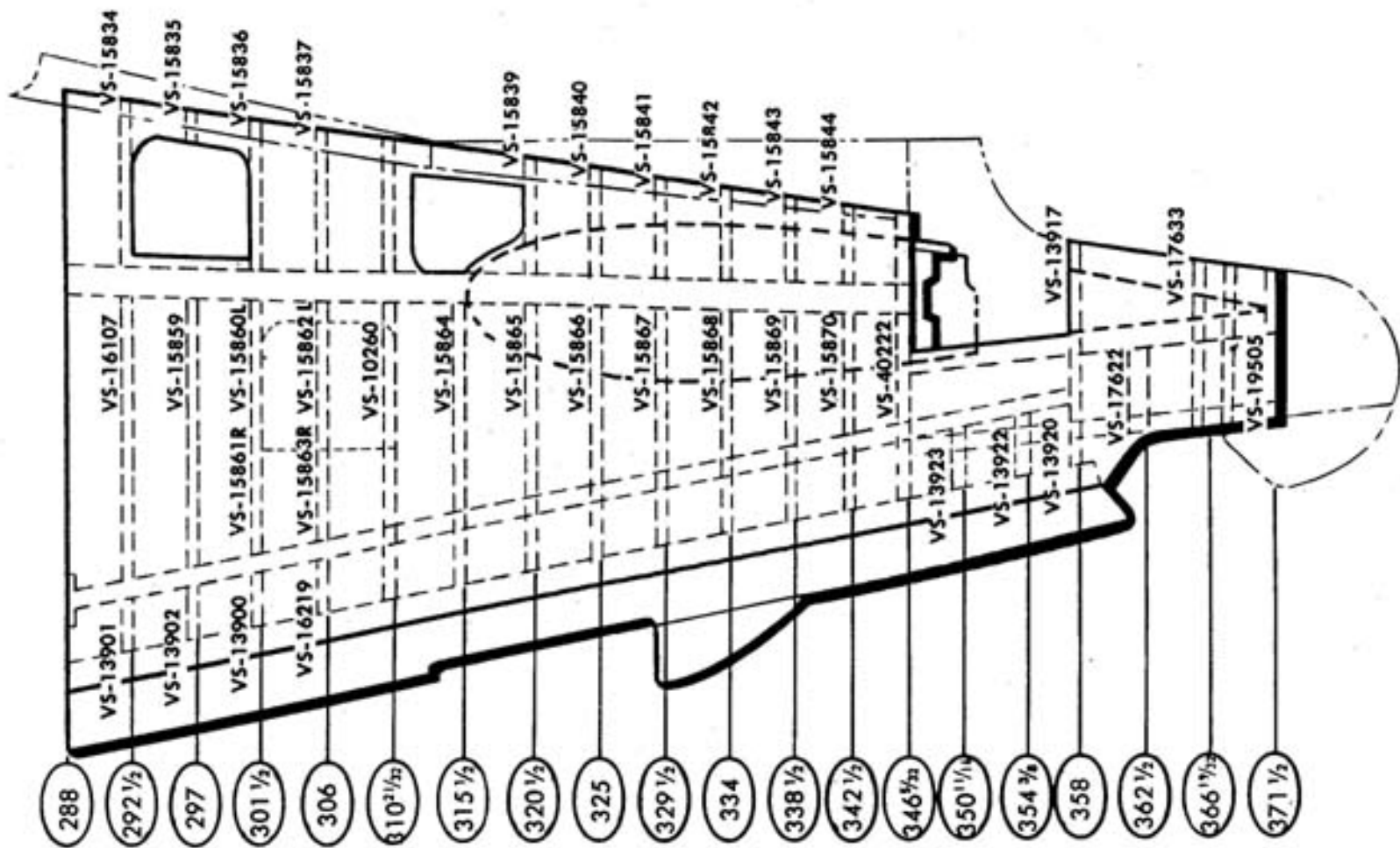
Bulkhead 288	VS-10259
Aft Turtledeck Assem 218-288	VS-19360-1
Lift Tube Instal	VS-10818
Top Longeron 259 1/2-288	VS-12254-3
Top Longeron 186-253	VS-19359
Upper Longeron Assem L H	VS-12244-2
Upper Longeron Assem R H	VS-12244-1
Side Panel Assem R H	VS-40242
Head Rest Instal	VS-40496
Turtledeck Panel Assem 186-218	VS-23804
Bulkhead 253	VS-19383
Bottom Panel Assem—246-288	VS-11834-7
Track Instal	VS-11203
Baggage Compartment Instal	VS-45013
Bulkhead 218	VS-40218
Radio Compartment Floor	VS-33800-2
Bottom Access Door	VS-17243
Lower Longeron Assem R H	VS-12245-1
Lower Longeron Assem L H	VS-12245-2
Bottom Panel Assem 186-225	VS-40267
Bulkhead 186	VS-40217
Side Panel Assem L H	VS-40241

Armor Plate Instal	VS-48760
Electrical System Instal	VS-40432
Fumeproofing Sta 218	VS-40279
Hydraulic System Instal	VS-40276
Reel Instal	VS-44876
Tow Target Release Instal	VS-44022
Turtledeck Assem Complete	VS-40245

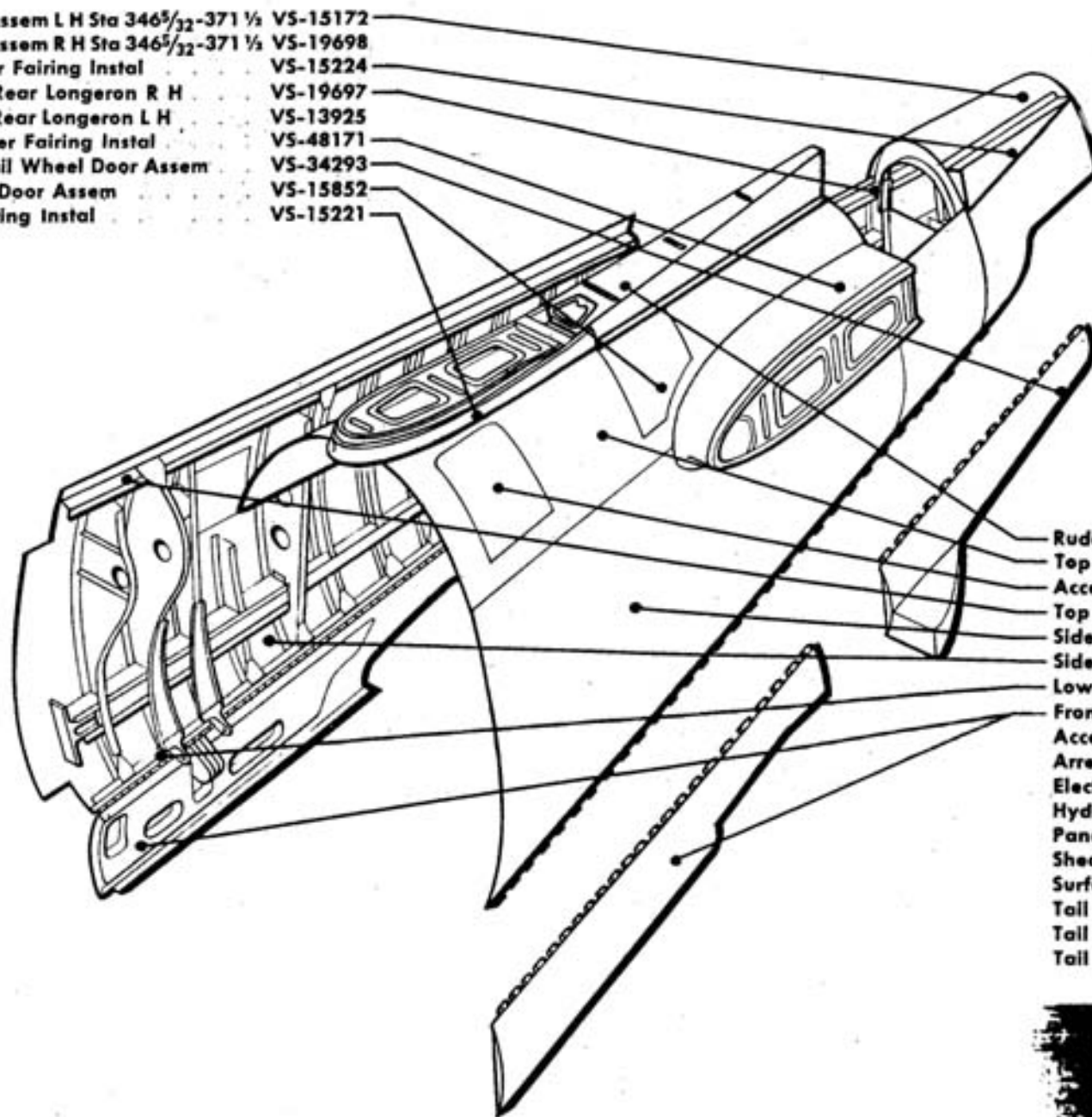
# MID SECTION

# AFT SECTION

Aft Section Fuselage	VS-40229
Rear Fuselage Assem	VS-40209
Rear Fuselage Unit	VS-40210
Tail Cone Assem	VS-19504



Panel Assem L H Sta 346 <sup>5</sup> / <sub>32</sub> -371 <sup>1</sup> / <sub>2</sub>	VS-15172
Panel Assem R H Sta 346 <sup>5</sup> / <sub>32</sub> -371 <sup>1</sup> / <sub>2</sub>	VS-19698
Elevator Fairing Instal	VS-15224
Upper Rear Longeron R H	VS-19697
Upper Rear Longeron L H	VS-13925
Stabilizer Fairing Instal	VS-48171
Rear Tail Wheel Door Assem	VS-34293
Access Door Assem	VS-15852
Fin Fairing Instal	VS-15221

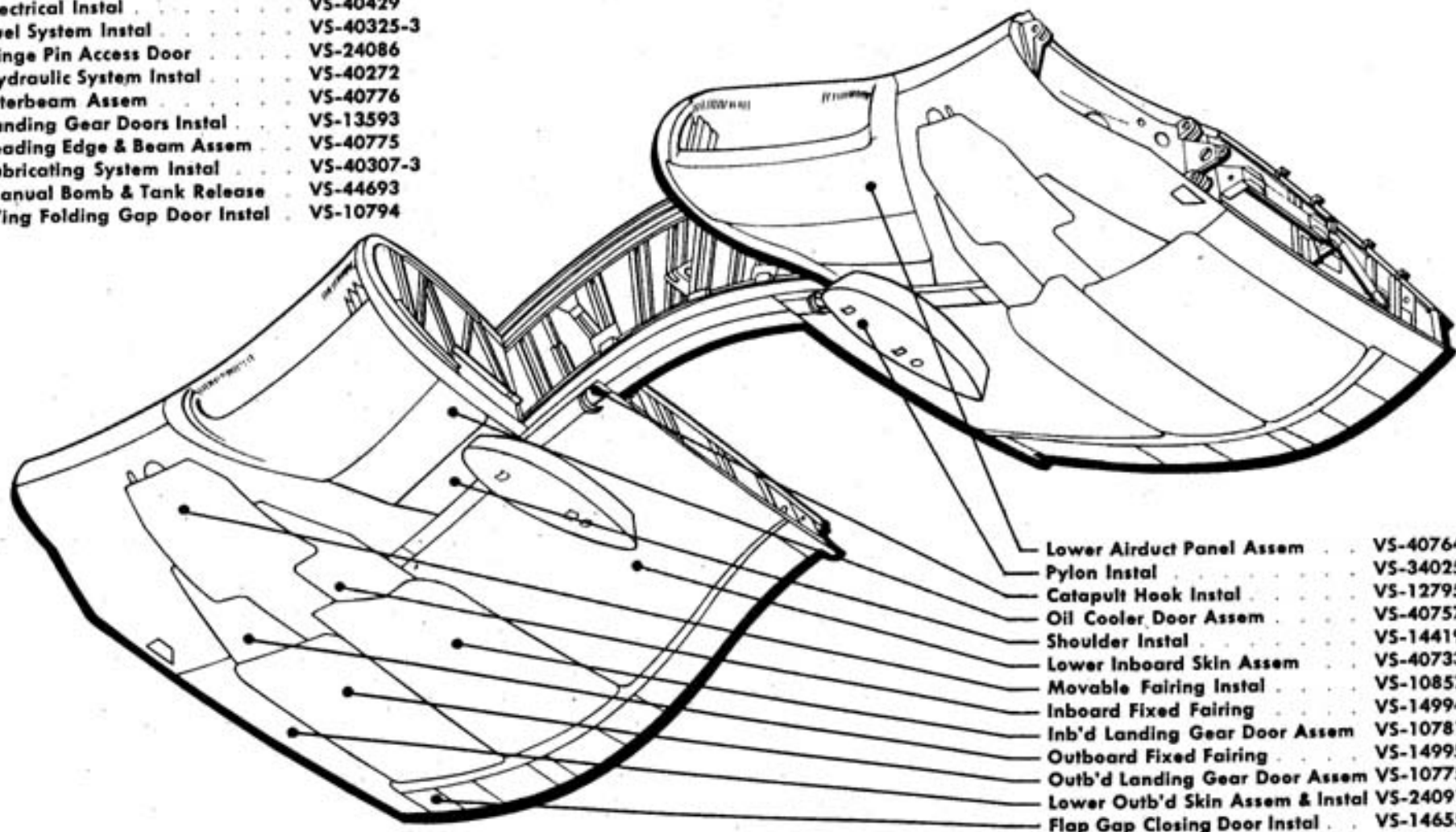


Rudder Fairing Instal	VS-15222
Top Panel Assem	VS-15266
Access Door Assem	VS-15849
Top Longeron Assem	VS-15877
Side Panel Assem L H	VS-15857
Side Panel Assem R H	VS-15265
Lower Longeron Assem	VS-15878
Front Tail Wheel Door Assem	VS-34282
Access Door Sta 306 R H	VS-15874
Arresting Gear Instal	VS-10420
Electrical Instal	VS-40432
Hydraulic Instal	VS-40276
Panel Assem Sta 346 <sup>5</sup> / <sub>32</sub> -371 <sup>1</sup> / <sub>2</sub>	VS-15171
Shear Vee Truss Instal	VS-15833
Surface Control Instal	VS-40404-4
Tail Wheel Door Mech Instal	VS-12850
Tail Wheel Instal	VS-34226
Tail Wheel Lock Pos Ind	VS-40417-4

# AFT SECTION

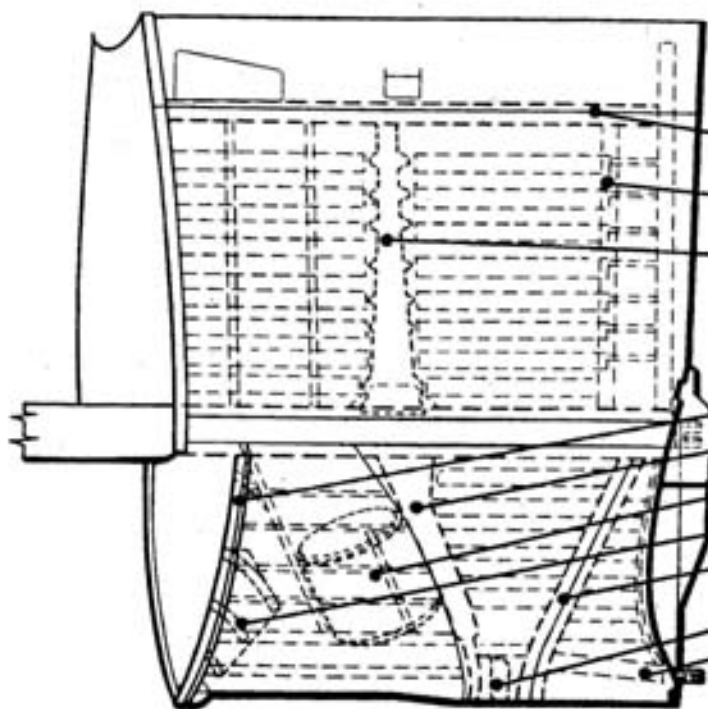
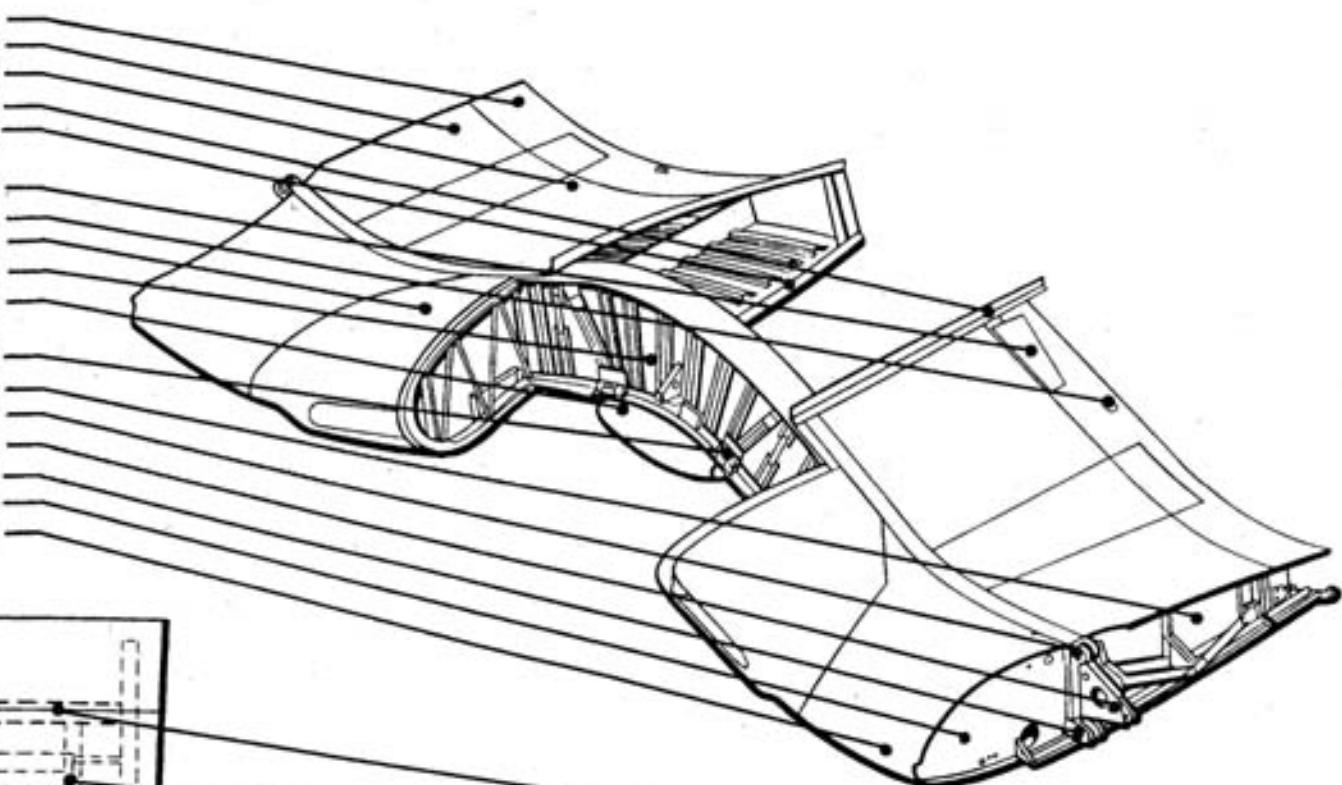
# CENTER SECTION

Center Section Assem . . . . .	VS-40770
Aileron Controls Instal . . . . .	VS-10475
Electrical Instal . . . . .	VS-40429
Fuel System Instal . . . . .	VS-40325-3
Hinge Pin Access Door . . . . .	VS-24086
Hydraulic System Instal . . . . .	VS-40272
Interbeam Assem . . . . .	VS-40776
Landing Gear Doors Instal . . . . .	VS-13593
Leading Edge & Beam Assem . . . . .	VS-40775
Lubricating System Instal . . . . .	VS-40307-3
Manual Bomb & Tank Release . . . . .	VS-44693
Wing Folding Gap Door Instal . . . . .	VS-10794



Lower Airduct Panel Assem . . . . .	VS-40764
Pylon Instal . . . . .	VS-34025
Catapult Hook Instal . . . . .	VS-12795
Oil Cooler Door Assem . . . . .	VS-40757
Shoulder Instal . . . . .	VS-14419
Lower Inboard Skin Assem . . . . .	VS-40733
Movable Fairing Instal . . . . .	VS-10857
Inboard Fixed Fairing . . . . .	VS-14994
Inb'd Landing Gear Door Assem . . . . .	VS-10781
Outboard Fixed Fairing . . . . .	VS-14995
Outb'd Landing Gear Door Assem . . . . .	VS-10775
Lower Outb'd Skin Assem & Instal . . . . .	VS-24091
Flap Gap Closing Door Instal . . . . .	VS-14655

- Trailing Edge Assem . . . VS-15754
- Upper Outboard Skin Assem . . . VS-15589
- Upper Inboard Skin Assem . . . VS-40732
- Upper Fuse Attach Angle . . . VS-47098
- Lower Fuse Attach Angle R H . . . VS-47097
- Lower Fuse Attach Angle L H . . . VS-47099
- Step Assem . . . VS-13520
- Handgrip Instal . . . VS-10772
- Upper Airduct Panel Assem . . . VS-40763
- Main Beam Assem . . . VS-40772
- Firewall Shoulder Assem . . . VS-40285
- Firewall Shoulder Instal . . . VS-40286
- Lower Eng Mt Attach Socket . . . VS-10709
- Interbeam End Rib Instal . . . VS-40707
- Upper Hinge Fitting . . . VS-10717
- Wing Folding Support Assem . . . VS-10719
- Lower Hinge Fitting . . . VS-10718
- L E End Rib Instal . . . VS-10704
- Outboard Leading Edge Assem . . . VS-14760



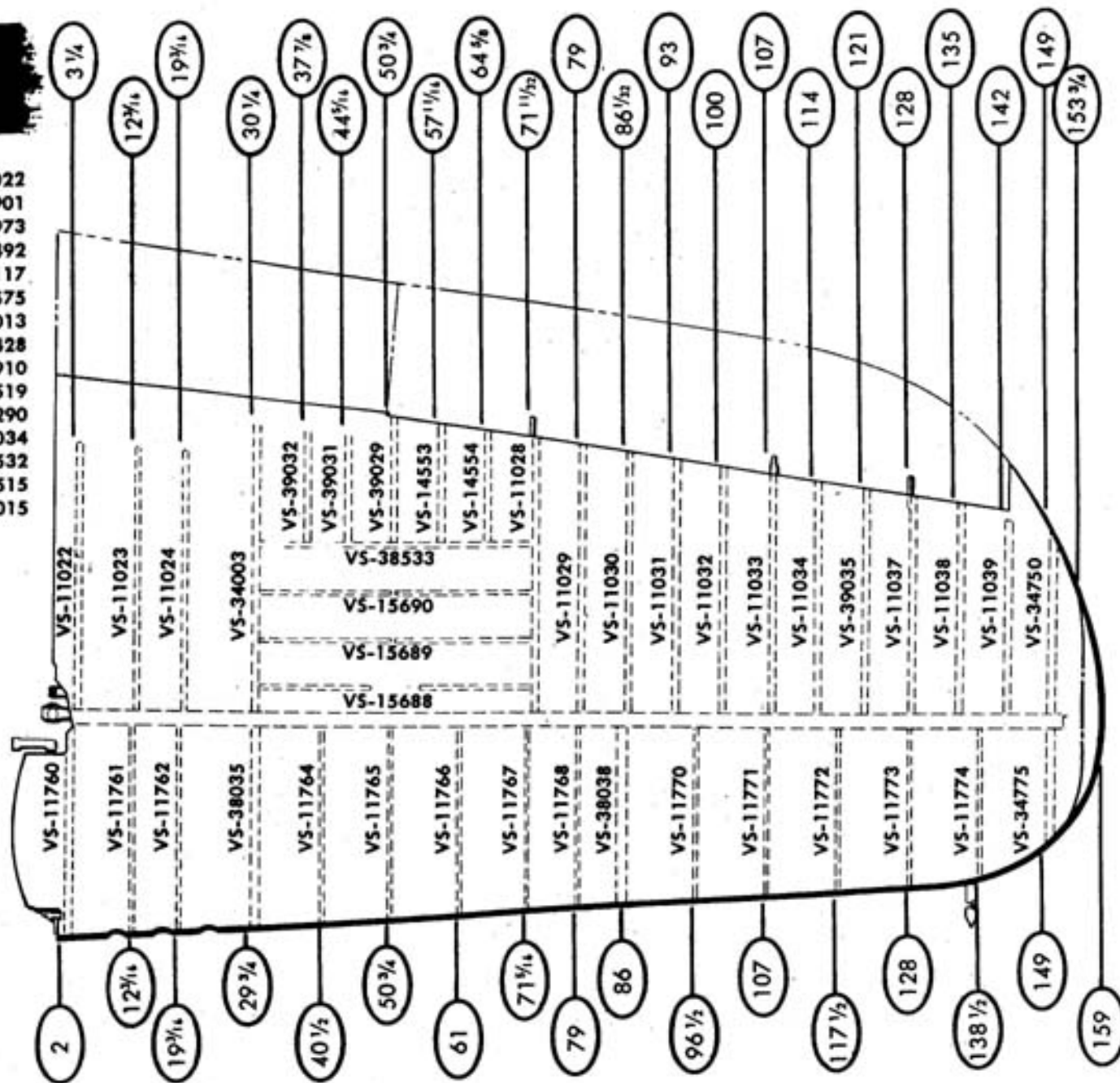
- Rear Beam Assem . . . VS-10073
- Interbeam Inb'd Rib Instal . . . VS-40706
- Interbeam Inb'd Rib Instal . . . VS-10705
- Inboard Air Duct Rib Instal . . . VS-40701
- Inboard Diagonal Rib Instal . . . VS-10702
- Oil Cooler L H . . . VS-12307
- Oil Cooler R H . . . VS-12306
- Vane & Partition Instal . . . VS-47100
- Outb'd Diagonal Rib Instal . . . VS-10703
- Landing Knuckle Fitting . . . VS-10007
- Wing Hinge Beam Instal . . . VS-10786

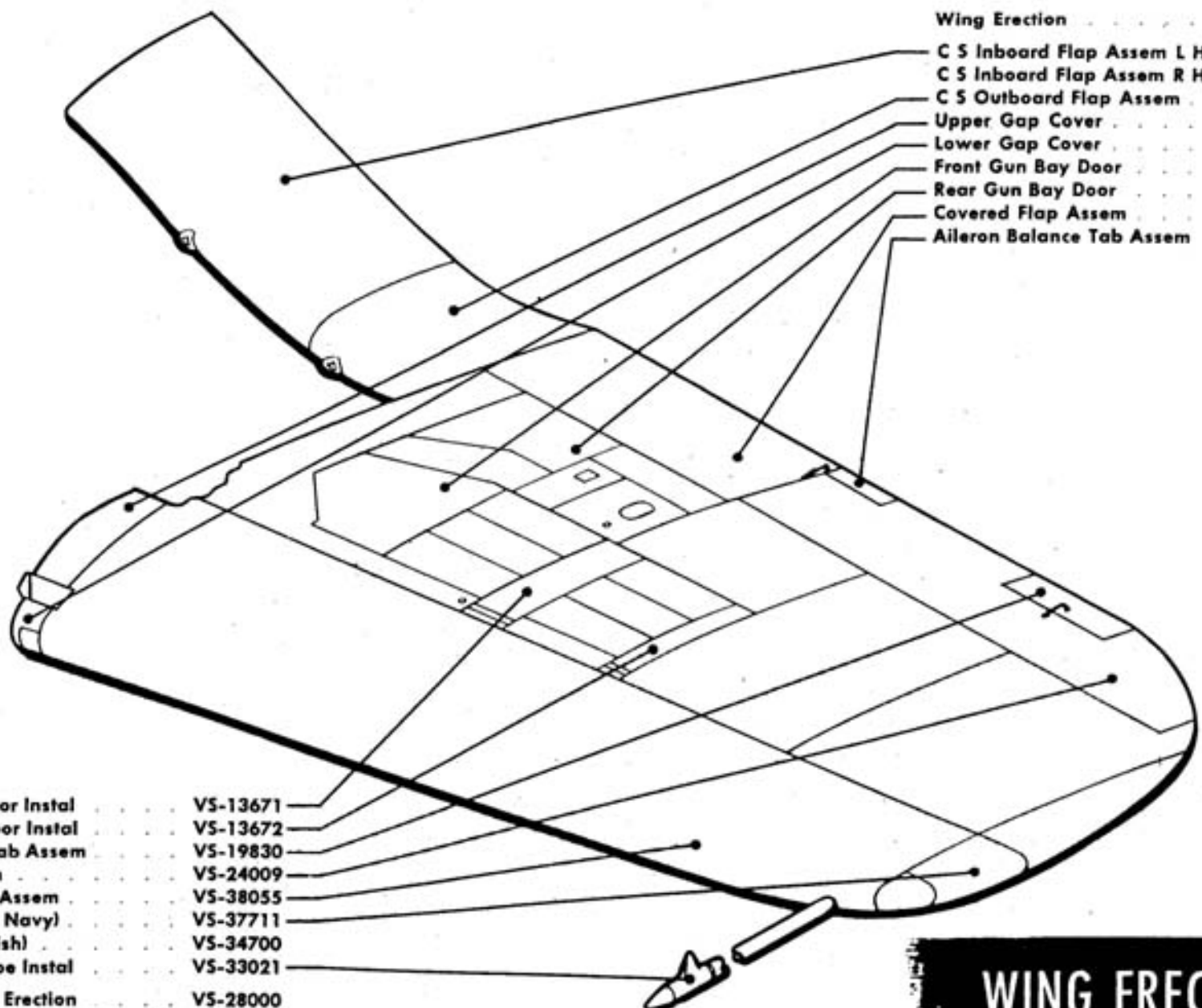
**CENTER SECTION**



# OUTER PANEL

Wing Assem	VS-38022
Aileron Control Instal	VS-10901
Aileron Tab Control Instal	VS-10973
Airspeed Tubing Instal	VS-19492
Beam Assem	VS-38117
Camera Instal	VS-10575
Covered Panel Assem	VS-38013
Electrical Instal	VS-34428
Flap Control Rod Instal	VS-10910
Gun Instal	VS-10519
Hydraulic System	VS-12290
Rib, Skin & Stringer Assem	VS-38034
Rib Instal Sta 30 1/4 to 37 1/4	VS-38532
Rocket Instal	VS-40515
Skeleton Panel Assem	VS-38015





- Wing Erection . . . . . VS-40700
- C S Inboard Flap Assem L H . . . . . VS-10069
- C S Inboard Flap Assem R H . . . . . VS-37769
- C S Outboard Flap Assem . . . . . VS-10068
- Upper Gap Cover . . . . . VS-11714
- Lower Gap Cover . . . . . VS-11716
- Front Gun Bay Door . . . . . VS-16553
- Rear Gun Bay Door . . . . . VS-16552
- Covered Flap Assem . . . . . VS-38776
- Aileron Balance Tab Assem . . . . . VS-24013

- Gap Cover Door Instal . . . . . VS-13671
- Gap Cover Door Instal . . . . . VS-13672
- Aileron Trim Tab Assem . . . . . VS-19830
- Aileron Assem . . . . . VS-24009
- Leading Edge Assem . . . . . VS-38055
- Tip Instal (U S Navy) . . . . . VS-37711
- Tip Instal (British) . . . . . VS-34700
- Pitot Static Tube Instal . . . . . VS-33021
- Cannon Wing Erection . . . . . VS-28000
- Inboard Flap Gap Clos Door . . . . . VS-13589
- Outboard Flap Gap Clos Door . . . . . VS-23009

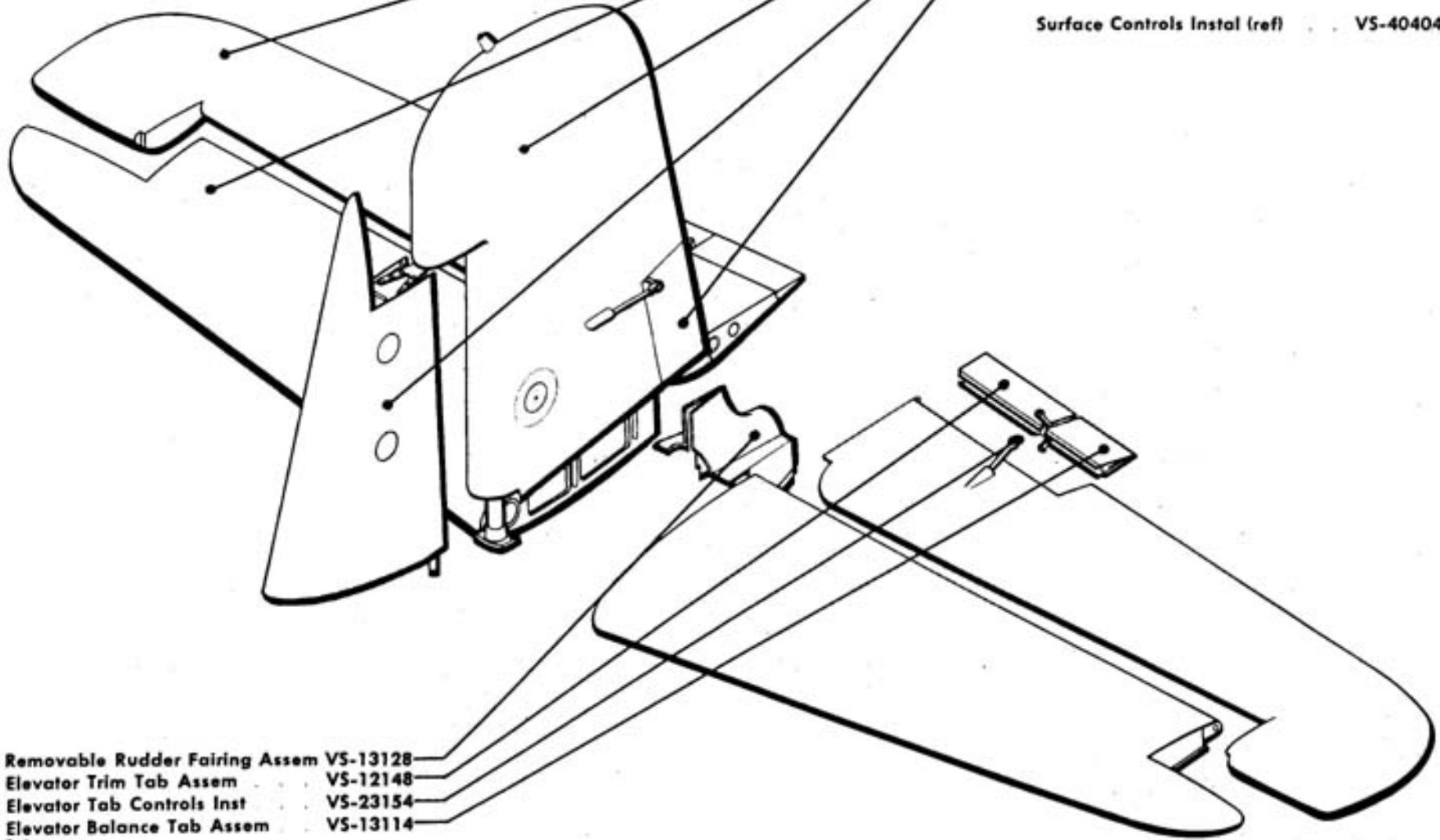
# WING ERECTION

# TAIL ERECTION

Tail Erection . . . . . VS-40100

- Elevator Assem—Covered . . . . . VS-33109
- Stabilizer Assem . . . . . VS-40103
- Rudder Assem—Covered . . . . . VS-33107
- Fin Assem . . . . . VS-10105
- Rudder Tab Assem . . . . . VS-10174

Surface Controls Instal (ref) . . . . . VS-40404



- Removable Rudder Fairing Assem VS-13128
- Elevator Trim Tab Assem . . . . . VS-12148
- Elevator Tab Controls Inst . . . . . VS-23154
- Elevator Balance Tab Assem . . . . . VS-13114